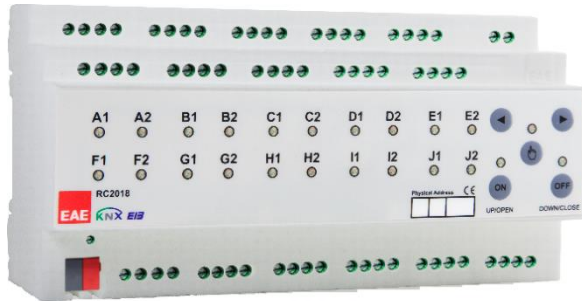


General Description

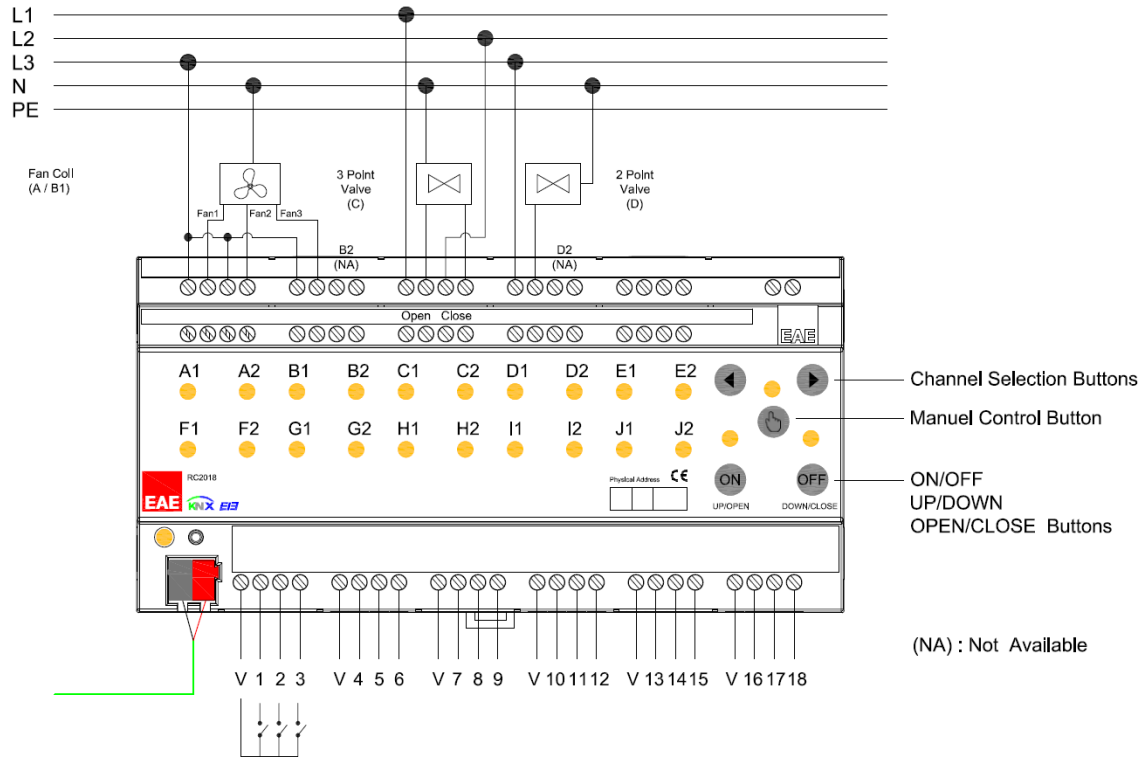


- RCU2018 has 20x16A relay outputs. These outputs are grouped as 5 independent output channels. Each channel can be configured to have different modes of operation as follows,
 - Switching output x4
 - AC Blind x2
 - DC Blind x1
 - 2 Point valve x2
 - 3 point valve x1
- Device has 18 independent input channels. Input channel operates as universal interface with following functions,
 - Switch / push button input
 - Dimmer control
 - Control of shutter/blinds
 - Value sending
 - Scene control
 - Counter for count pulse
- Room Control Unit RCU2018 is designed as an all in one product for different room layouts such as apartments, hotel rooms, hospitals and residences.
- Room Control Unit covers all requirements of the electrical installation of room applications and offers following functions in a one product.
 - ✓ Switching lighting
 - ✓ Switching loads
 - ✓ Controlling AC/DC blinds
 - ✓ Controlling fan coils (2 & 3 point valve)
 - ✓ Dry contact inputs
- Suitable for switching resistive, capacitive and inductive loads as well as fluorescent lamp loads according to EN 60 669. As a switch output device provides following function list,
 - Staircase
 - External logic
 - Internal logic
 - Priority
 - Threshold
 - Operating hour
 - Sweep
- Manual control is possible for each channel through the built-in button panel.
- 220V auxiliary power is not required.

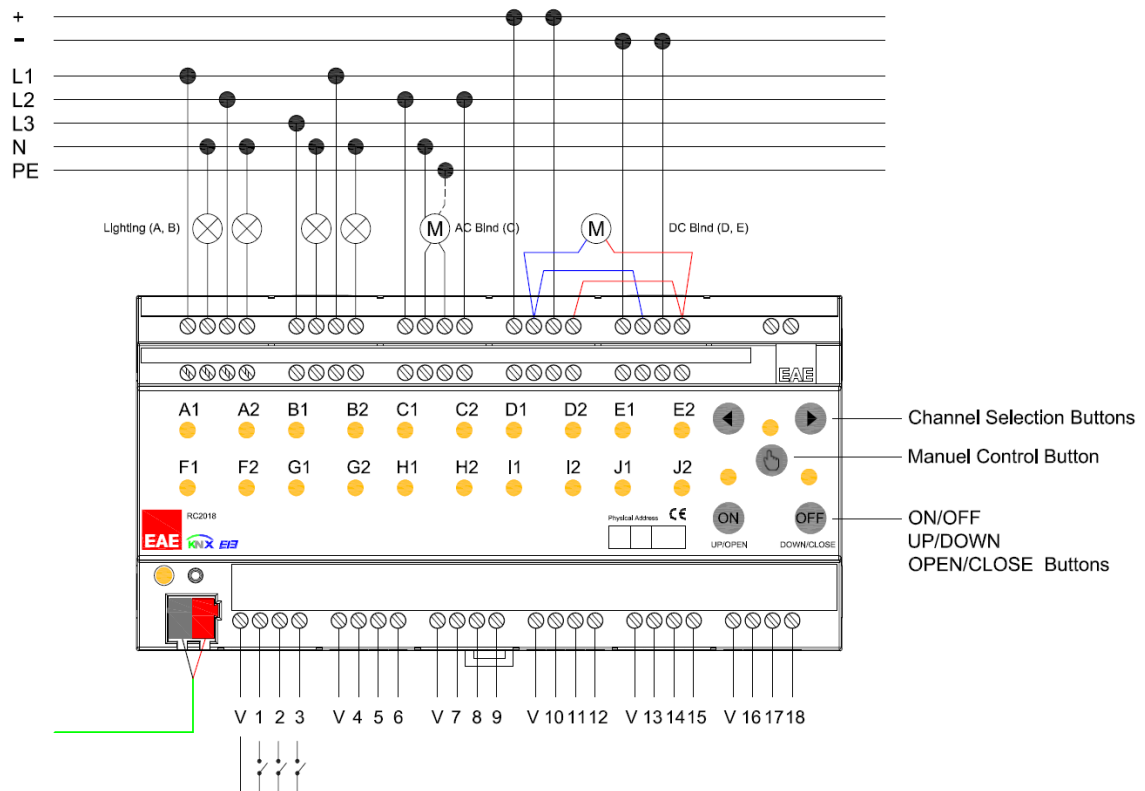
Technical Data

Type of protection	IP 20	EN 60 529	
Safety class	II	EN 61 140	
Power supply :	- Voltage	21V... 30V DC, SELV	
	- Current consumption	≤ 10 mA	
External supply	-	-	
Connections	- Screw terminals	0,5...4 mm ² solid and stranded wire 0,5...2,5mm ² stranded wire with ferrule	
	- Max tightening torque	0.8 Nm	
	- KNX	Bus connect terminal	
Output	- Number	20 output	
	- Switching voltage	250 AC; 50/60 Hz	
	- Switching capacity 250 V AC	16A / AC 1	
	- Maximum switching power	4000 VA	
	- Mechanical life	> 1 x 10 ⁶	
Type of contact	- Potential-free, bistable		
Input	- Number	18 binary inputs	
	- Scanning voltage	32 V pulsed	
	- Current	0.1mA	
	- Cable length	< 300 m	
Installation	- 35mm mounting rail	EN 60 715	
Operating elements	- LED (red) and button	For physical address	
Temperature range	- Ambient	-5° C + 45° C	
	- Storage	-25° C + 55° C	
Humidity	- max. air humidity	85 % no moisture condensation	
Dimensions		66 x W x 90mm	
	Width W in mm	180 mm	
	Width W in units (18 mm modules)	10 modules	
Weight		0,65 kg	
Box		Plastic, polycarbonate, colour grey	
CE		In accordance with the EMC guideline and low voltage	
Application program	Communications	Number of addresses(max)	Number of assignments(max)
	objects		
	254	255	255

Connection Example



Connection Diagram 1



Connection Diagram 2

Scale Drawings

