

Datasheet IPI200

EAE KNX IP Interface

All you need is EAE



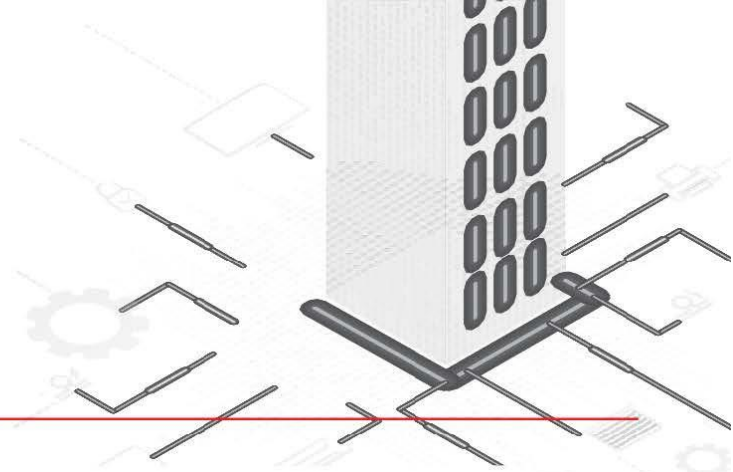
General Description



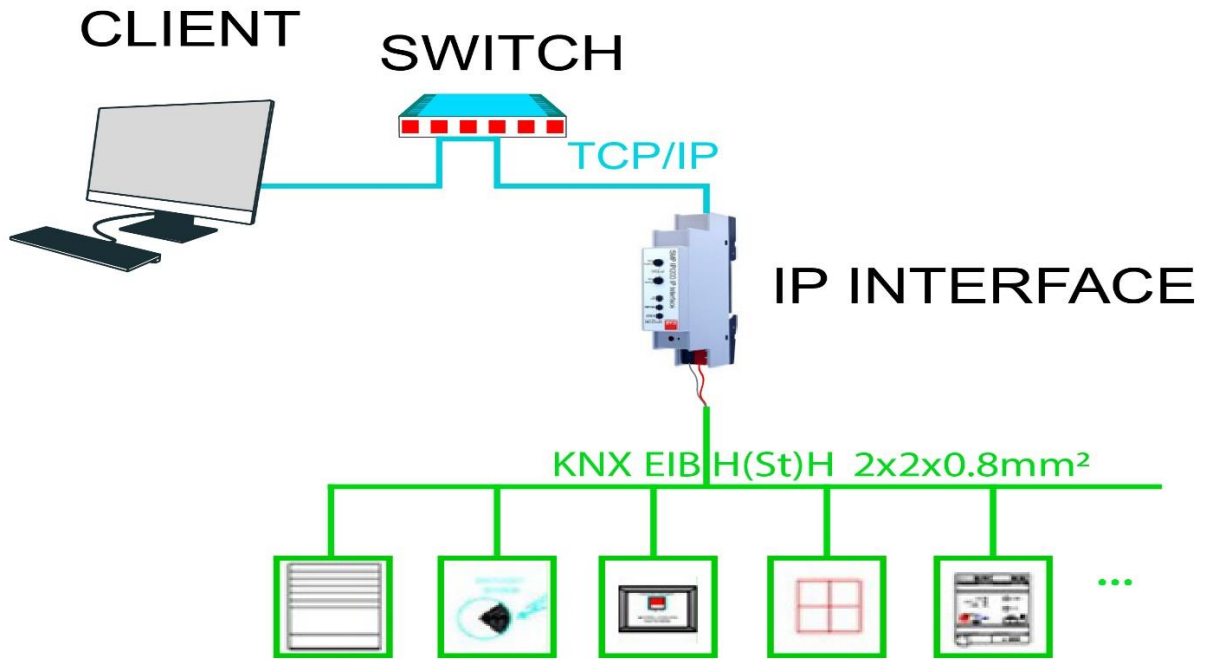
- The KNX IP Interface 200 is a compact interface used to connect a PC to the KNX network. The connection is made through LAN (IP). Power is supplied via the KNX bus.
- The IP address can be obtained by a DHCP server or by manual configuration (ETS) respectively. This device works according to the KNXnet/IP specification using the core, the device management and the tunneling part.
- The buttons are for diagnostic purposes. The LEDs indicate the operating status and communication errors on the bus.

Technical Data

Power supply	- Bus	DC 21...30V SELV
	- KNX Bus approx..	15mA
Connections	- IP Line	RJ45 socket
	- KNX Line	Bus connection terminal
Ethernet	- 10Base T	10Mbit/s
	- Supported internet protocols	ARP, ICMP, IGMP, UDP/IP, DHCP and Auto IP
	- Up to 5 KNXnet/IP Tunneling connections simultaneously	
KNX	- Medium TP	
	- Interface protocols : cEMI	
	- Max. APDU length: 55	
	- Device model: System 7	
Display elements	- LED KNX (Multicolor)	
	- LED Mode (Multicolor)	
	- LED IP (Multicolor)	
	- LED RED for program. mode	
Operating elements	- 2 Function Button, Programming Button	
Installation	- DIN rail mount	
Type of protection	- IP 20	EN 60 529
Temperature range	- Operation	-5 °C + 45 °C
	- Storage	-25 °C + 70 °C
Humidity		%5 to 93 % no moisture condensation
Dimensions	- Width W in units (18 mm modules)	
Weight	- 40 g	
Box	- Housing: plastic (PC)	
CE	<ul style="list-style-type: none"> ▪ EMC directive 2014 / 30 / EU ▪ RoHS directive 2011 / 65 / EU ▪ EN 63000: 2018 ▪ EN 63044-3: 2018 	<ul style="list-style-type: none"> ▪ EN 50491-5-1: 2010 ▪ EN 50491-5-2: 2010 ▪ EN 50491-5-3: 2010 ▪ EN 61000-6-2: 2019 ▪ EN 61000-6-3: 2007 + A1: 2011



Connection Example



Scale Drawing

