

Datasheet Mona Switches

EAE KNX Mona Switch Series

All you need is EAE



General Description

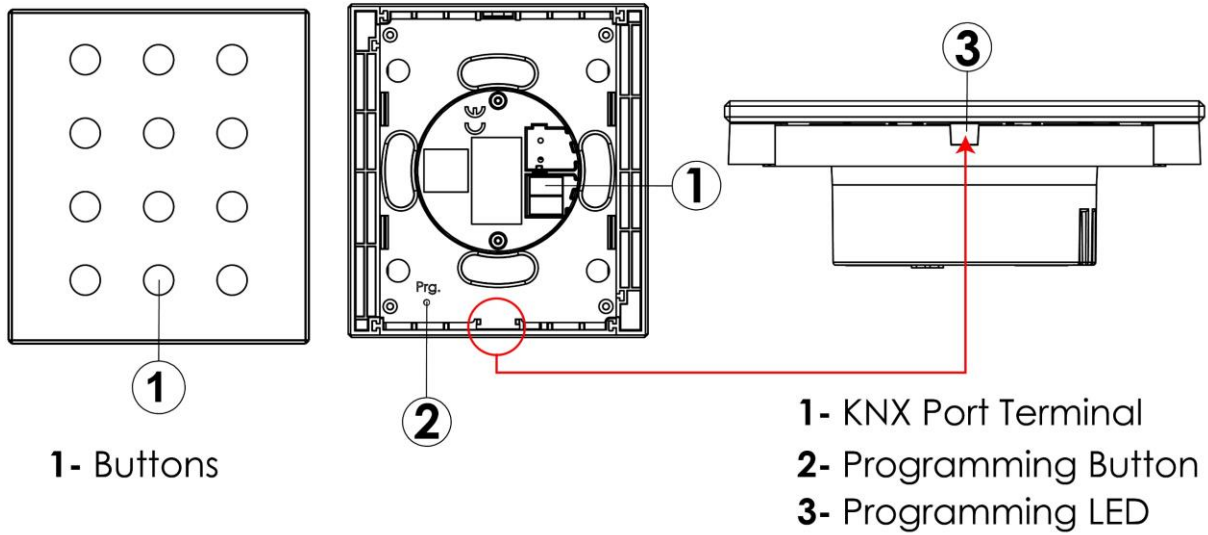


- Monoblock glass design
- Can be configured with ETS5 or higher version.
- Different color options
- Easy mount into 60x60 mm standard switch junction boxes
- 1 – 12 independent programmable buttons
 - Switching
 - Dimming
 - Blind Control
 - Value Transmitting
 - Scene Control

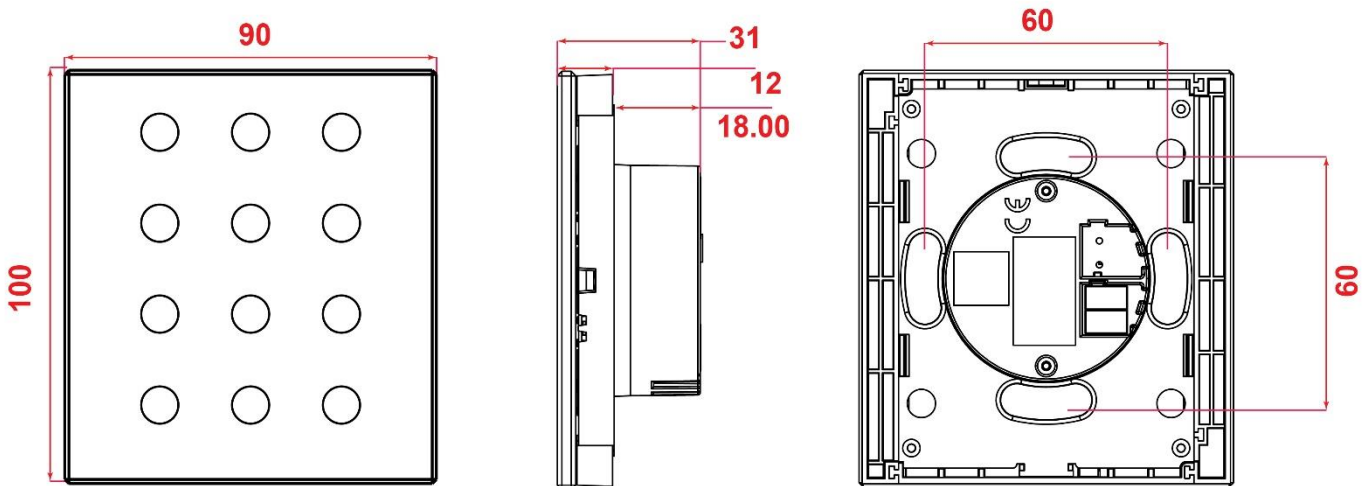
Technical Data

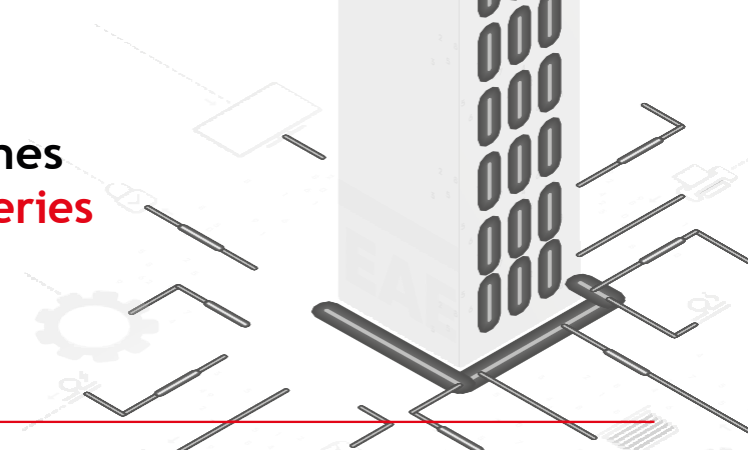
Type of protection	IP20	EN 60 529
Safety Class	II	EN 61 140
Connections	- KNX	Bus Connection
Power Supply	- Voltage - Current drawn from bus	21V... 30V DC, via the KNX bus <25mA
Operating Elements	LED (red) LED (white)	P. Address Programming LED Button Status LEDs
Operating Temperature	- Ambient - Storage	-5° C + 45° C -25° C + 55° C
Humidity	- Max. Air humidity condensation	95% no moisture
Dimensions	Front side Side – Surface mounted part Side – Flush mounted part	90 x 100 mm 12 mm 18.8 mm
Weight	65 g	
Box Material	Glass – Surface Polycarbonate – Flush mounted part	
Color	Front Side – Glass – Black or White Flush mounted part – Polycarbonate - Black	
CE	In accordance with the EMC guideline and low voltage	

Functional Elements and Connections

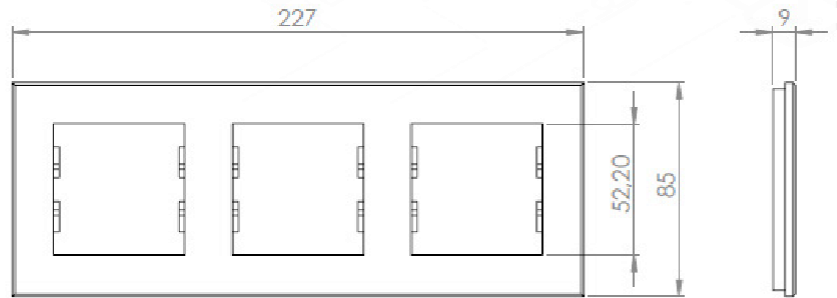
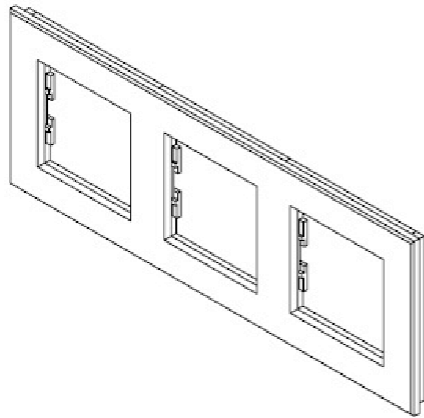


Technical Drawings

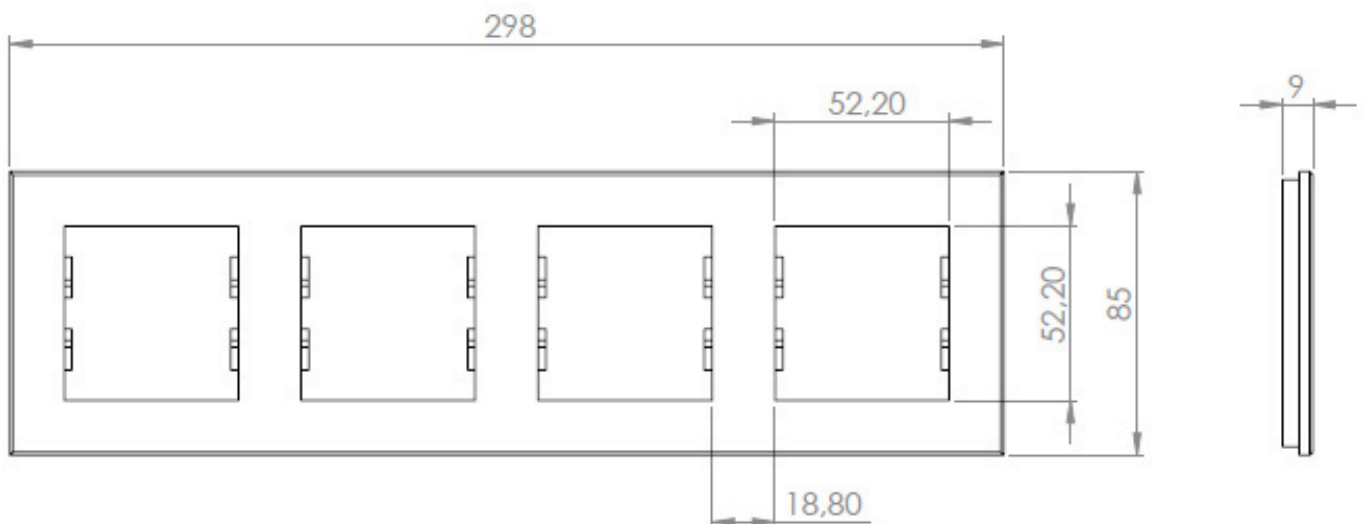
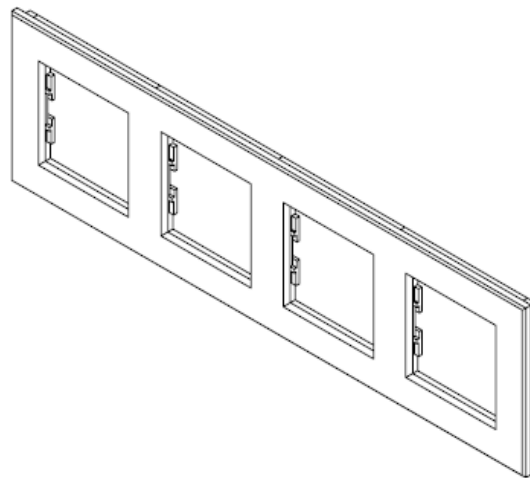




Scale Drawing 3-gang



Scale Drawing 4-gang



Scale Drawing 5-gang

