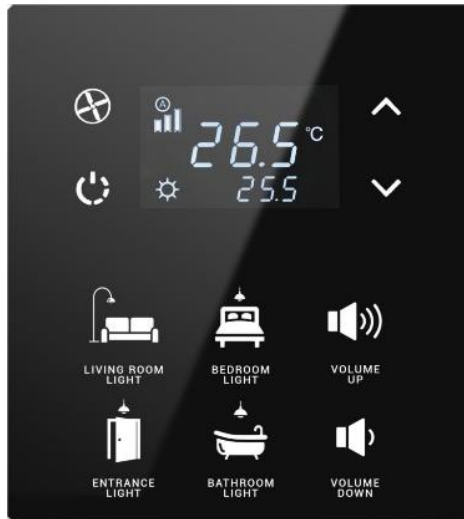


General Features



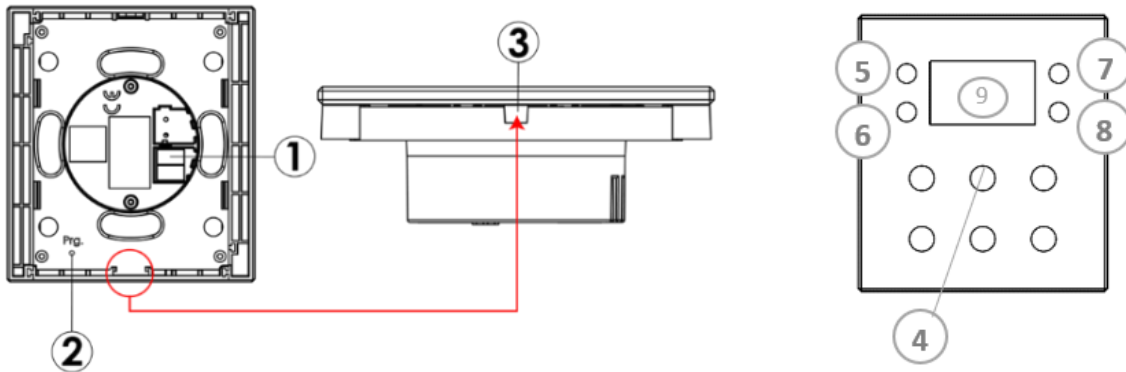
- Monoblock glass design
- Temperature Adjustment on Digital LCD
- Integrated Temperature Sensor (°C/ °F)
- Integrated Humidity Sensor
- Fan Speed Adjustment (1, 2, 3, Auto)
- Different Operation Modes (Comfort, Night, Away, OFF)
- Fully Automatic Function Mode (Heat – Cool transition)
- Control Flexibility for all HVAC units including VRF-VRV and AC
- 60x60mm easy mounting to standard junction boxes
- PI proportional, PI PWM, Hysteresis, Fan coil, Split unit controls
- Easy mount into 60x60 mm standard switch junction boxes
- Different color options
- 1 – 6 independent programmable buttons

- Switching
- Dimming
- Shutter/Blind
- 2 independent Logic Blocks
- Value
- Scene control
- Status notification
- Cleaning Mode

Technical Data

Type of protection	IP20	EN 60 529
Safety Class	II	EN 61 140
Power Supply	- Voltage	21V... 30V DC, via the KNX bus
	- Current drawn from bus	≤ 25 mA
Connections	- KNX	Bus Connection
Operating Elements	LED (red)	P. Address Programming LED
	LED (white)	Button Status LEDs
Operating Temperature	- Ambient	-5° C + 45° C
	- Storage	-25° C + 55° C
Temperature Sensor	- Measurement Accuracy	±0,3 °C
Humidity	- Max. Air humidity condensation	95% no moisture
Dimensions	Front side	90 x 100 mm
	Side – Surface mounted part	12 mm
	Side – Flush mounted part	18.8 mm
Weight	69 g	
Box Material	Glass – Surface	
	Polycarbonate – Flush mounted part	
Color	Front Side – Glass – Black or White	
	Flush mounted part – Polycarbonate - Black	
CE	In accordance with the EMC guideline and low voltage	

Functional Elements and Connections



1. KNX Port Terminal	6. Operation Mode Button (Comfort, Night, Away, Protection)
2. Programming Button	7. Setpoint Temperature UP
3. Programming LED	8. Setpoint Temperature DOWN
4. Control Buttons	9. Built-in Screen
5. Fan Speed (1, 2, 3, Auto)	

Scale Drawing

