

## General Features



- Serial switches with plastic push-button
- Can be configured with ETS5 or higher
- Independent button configuration for each fold
- Different color options
- Cleaning Mode Function
- Logical Function
- Option to extend up to 6 Folds
- Easy mount into 60x60 mm standard switch junction boxes
- Integrated temperature sensor (°C) (Optional)
- Integrated humidity sensor (Optional)
- Dependent or independent programmable buttons

- |                 |  |
|-----------------|--|
| ➤ Switching     | ➤ Value                                |
| ➤ Dimming       | ➤ Short, Long, Double and Triple press |
| ➤ Shutter/Blind | ➤ Scene control                        |
| ➤ Feedback LEDs | ➤ 2 independent Logic Blocks           |

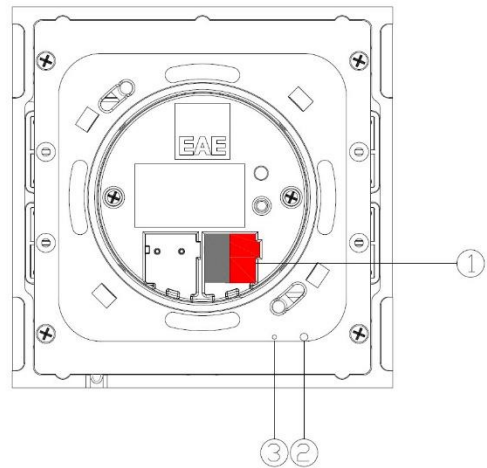
## Technical Data

<b>Safety Rating</b>	IP20	EN 60 529
<b>Safety Class</b>	II	EN 61 140
<b>Operating Voltage</b>	Voltage	21V... 30V DC, via the KNX bus
	Current drawn from bus	<10mA
<b>Connections</b>	KNX	Bus Connection
<b>Operating Temperature</b>	Ambient	-5° C + 45° C
	Storage	-25° C + 55° C
<b>Operating Humidity</b>	Max.	95% no moisture
<b>Temperature Sensor</b>	Measurement accuracy	± 0,4 °C
<b>Humidity Sensor</b>	Measurement accuracy	± 5 %
<b>Dimensions</b>	Front Side	90 x 90 mm
	Side- Surface mounted part	8.5 mm
	Side- Flush mounted part	29.5 mm
<b>Weight</b>		73 g
<b>Box Material</b>	Plastic, polycarbonate	
<b>CE</b>	In accordance with the EMC guideline and low voltage directives	

## Functional Elements and Connections



1. Button groups (1-4 fold) (extendable to 6 folds)



1. KNX Port Terminal  
2. Programming Button  
3. Programming LED

## Technical Drawings

