

General Description

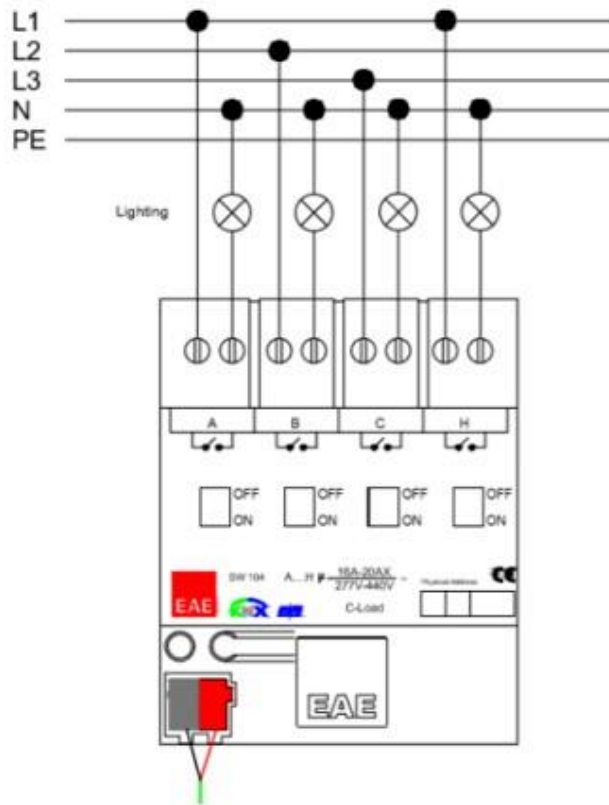


- Eight independent channels which can be parameterized with ETS5 or higher version.
- Suitable for switching resistive, capacitive and inductive loads as well as fluorescent lamp loads to EN 60 669.
- Manual operation feature for each channel. The relay can be switched On/Off with slide switches (No feedback to the bus).
- Following function list provides,
 - Staircase
 - External logic
 - Internal logic
 - Priority
 - Threshold
 - Operating hour
 - Sweep
- Each channel can actualize any of these functions separately.
- Does not require an additional power supply.
- Changeable behaviour after voltage return, voltage failure and ETS program.

Technical Data

Type of protection	IP 20	EN 60 529
Safety class	II	EN 61 140
Power supply :	- Voltage	21V... 30V DC, SELV
	- Current consumption	< 10 mA
External supply	---	
Connections	- Screw terminals	0,5...4 mm ² solid and stranded wire 0,5...2,5mm ² stranded wire with ferrule
	- Max tightening torque	0.8 Nm
	- KNX	Bus connect terminal
Output	- Number	4 output
	- Switching voltage	277/440V AC; 50/60 Hz
	- Switching capacity 277 V AC	16A / AC 1
	- Fluorescent lighting load to EN 60 669-1	20 AX/250 VAC
Output life	- Mechanical life	> 3 x 10 ⁶
Type of contact	- potential-free, bistable	
Installation	- 35mm mounting rail	EN 60 715
Operating elements	- LED (red) and button	For physical address
Temperature range	- Ambient	-5° C + 45° C
	- Storage	-25° C + 55° C
	- Transport	-25° C + 70° C
Humidity	- Max. air humidity	95 % no moisture condensation
Dimensions		65,5 x W x 89mm
	Width W in mm	143 mm
	Width W in units (18 mm modules)	4 modules
Weight		0.30 kg
Box		Plastic, polycarbonate, colour grey
CE		In accordance with the EMC guideline and low voltage
Application program	Communications objects	Number of addresses(max) Number of assignments(max)
	122	253 253

Connection Example



Scale Drawings

