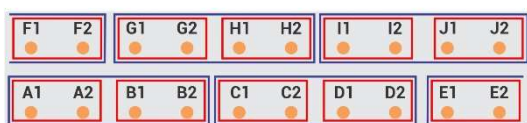


Connection

1. Physical Address Label
2. KNX programming button
3. KNX programming LED
4. KNX connection
5. Indicator LEDs
6. Manual control channel selection buttons
7. Manual control button
8. Manual control up/down, on/off button
9. Inputs

General Description



● Lighting

□ AC Blind

□ Fan/Valve/DC Blind

Device has 20 outputs which can be programmed via ET55 or above. Outputs contain 5 independent outputs. (AB, CD, EF, GH, IJ) Operating method for each relay group can be configured as like below.

- Switching Output x4
- AC Blind x2
- DC Blind x1
- Two Point Valve x2
- Three Point Valve x2

Device has 18 independent Input Channels. Input Channels may operate the actions below as well as Universal Interface.

- Switching
- Dim Control
- Blind Control
- Value and Priority Sending
- Scene Control
- Pulse Counter

All of input configurations can be operated independently.

Operation and Indication Elements

-Programming LED⁽³⁾

Programming LED will be indicated if the programming button pressed. This button is used to download individual address to the device.

-Manual Control Channel Selection Buttons⁽⁶⁾

This button can be used to select relay or relay groups.

-Manual Control Button⁽⁷⁾

This button is used to switch to manual mode in device.

-Manual Control Up/Down, On/Off button⁽⁸⁾

This button is used to control the relay or relay groups.

Installation

Device is manufactured according to EN 60 715 standard. It is compatible with 35 mm DIN rail.

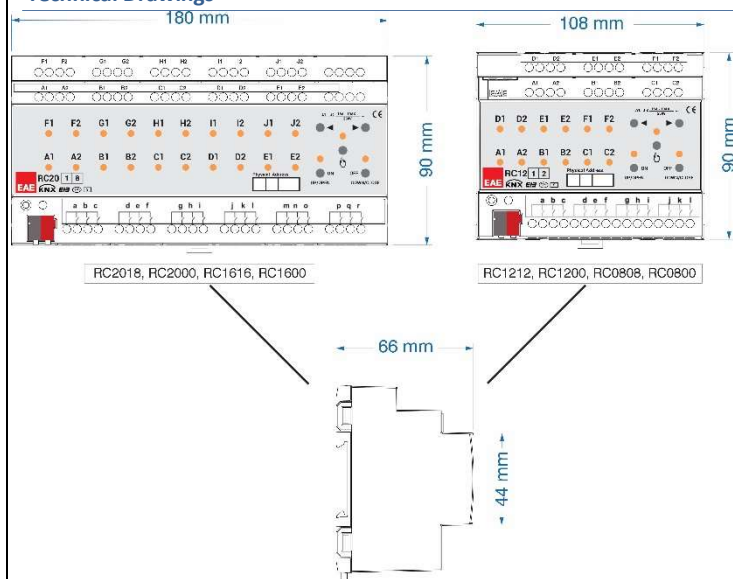
Cleaning

If device becomes dirty, only a dry cloth can be used for cleaning. It is not suitable to use wet cloths, caustics and solvents.

Technical Data

Type of protection	IP 20	EN 60 529
Safety class	II	EN 61 140
Power supply	21V... 30V DC, SELV, Current consumption <15mA	
Connections	Screw terminals	
	0,05...4 mm solid and stranded wire	
	0,05...2,5 mm stranded wire with ferrule	
	0.8 Nm Max. Tightening torque KNX Bus connection terminal	
Input	YY binary inputs	
Output	XX output	
	Switching ratings: 16A 250 VAC/6x 10 ³ OPS (Resistive)	
	Incandescent lamp: 3500W	
	Halogen lamp: 3500W	
	Inductive load, transformer: 2000W	
	Electronic driver: 1500W	
Output life	Max. Inrush current 492A/1.5ms-165A/20ms	
	Max. switching power 4000VA	
Output life	Mechanical life 2 x 10 ⁶	
Installation	35 mm mounting rail EN 60 715	
Temperature range	Operation -5° C +45° C	
	Storage -25° C +55° C	
Humidity	Max. Air humidity 95 % no moisture condensation	
Dimensions	RC2018, RC2000, RC1616, RC1600	66 x 180 x 90 mm
	RC1212, RC1200, RC0808, RC0800	66 x 108 x 90 mm
Weight	0.65 kg	
Box	Plastic, polycarbonate, color grey	
CE	In accordance with the EMC guideline and low voltage	

Technical Drawings



Commissioning

Device product file ".knxprod" must be imported to the ETS product catalog. Product file can be found in our website. www.eaetechnology.com

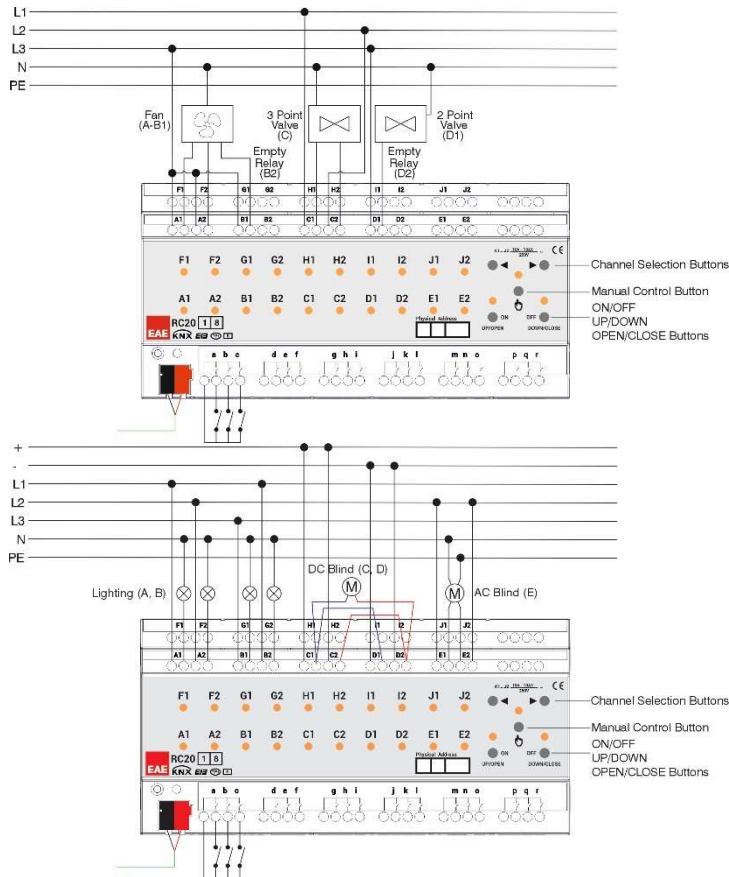
Physical addressing and programming can be done ET55 or higher.

i A detailed information about parameter configuration can be found in Product Manual of device.

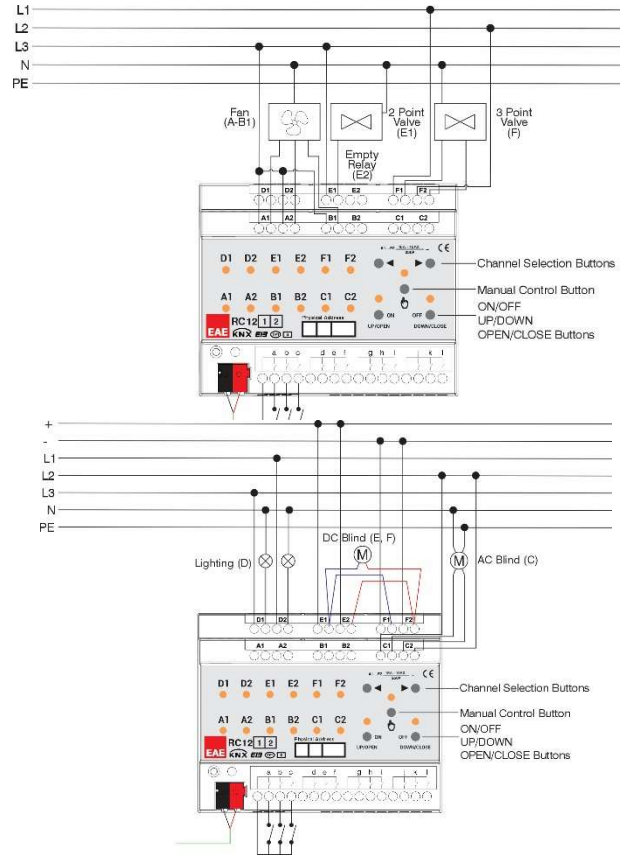
! Installation and commissioning of device may only be implemented by trained electricians. The relevant standards, directives, regulations and instructions must be observed when planning and implementing the electrical installation.

- When connecting the device make sure that the device can be isolated!
- Protect the device against moisture, dirt and damage during transport, storage and operation!
- Do not operate the device out of the specified technical data which is stated.
- The device may only be operated in closed enclosures such as distribution boards.

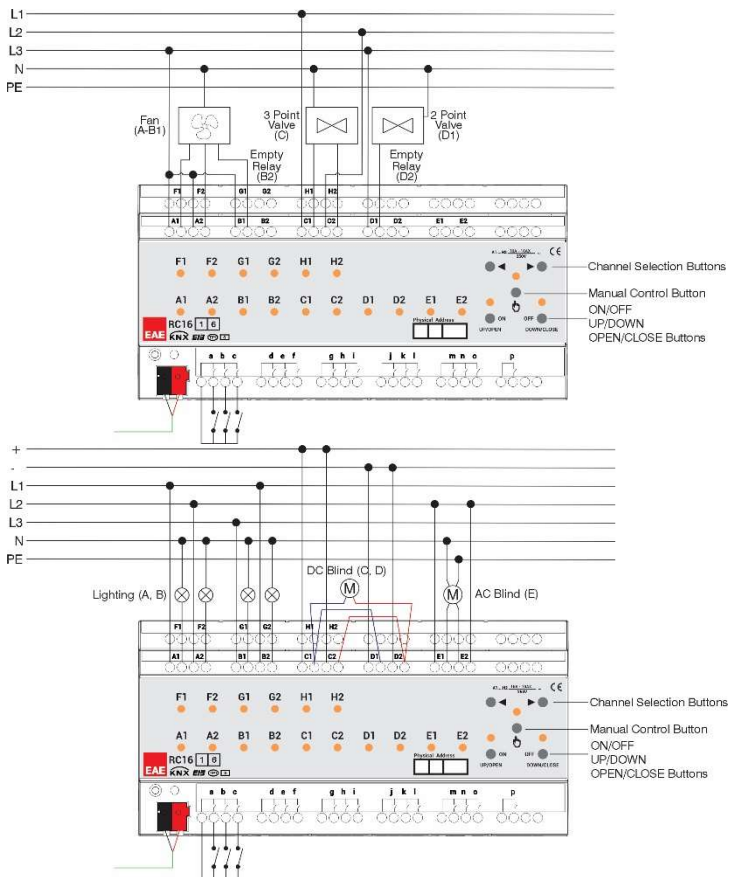
Room Control Unit 2018



Room Control Unit 1212



Room Control Unit 1616



Room Control Unit 0808

