

General Description



- Staircase
- External logic
- Internal logic
- Priority
- Threshold
- Operating hour
- Sweep

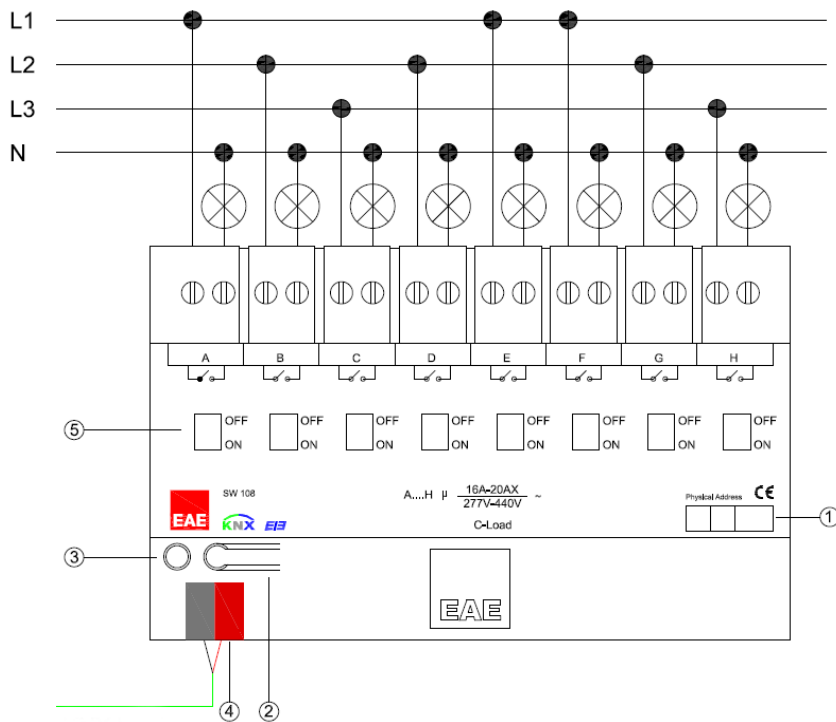
- Eight and four independent channels which can be parameterized with ETS3/ETS4.
- Suitable for switching resistive, capacitive and inductive loads as well as fluorescent lamp loads to EN 60 669.
- Manual operation feature for each channel. The relay can be switched On/Off with slide switches (No feedback to the bus).
- Following function list provides
 - Each channel can actualize any of these functions separately.
 - Does not require an additional power supply.
 - Changeable behaviour after voltage return, voltage failure and ETS program.

Technical Data

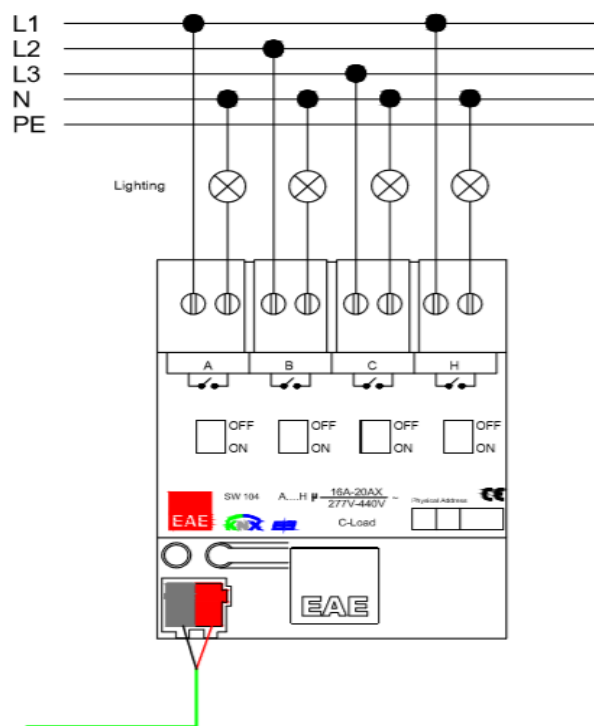
Type of protection	IP 20	EN 60 529	
Safety class	II	EN 61 140	
Power supply :	- Voltage	21V... 30V DC, SELV	
	- Current consumption	< 10 mA	
External supply	---		
Connections	- Screw terminals	0,5...4 mm ² solid and stranded wire 0,5...2,5mm ² stranded wire with ferrule	
	- Max tightening torque	0.8 Nm	
	- KNX	Bus connect terminal	
Output	- Number	SW108 - 8 output SW104 - 4 output	
	- Switching voltage	277/440V AC; 50/60 Hz	
	- Switching capacity 277 V AC	16A / AC 1	
	- Fluorescent lighting load to EN 60 669-1	20 AX/250 VAC	
Output life	- Mechanical life	> 3 x 10 ⁶	
Type of contact	- potential-free, bistable		
Installation	- 35mm mounting rail	EN 60 715	
Operating elements	- LED (red) and button	For physical address	
Temperature range	- Ambient	-5° C + 45° C	
	- Storage	-25° C + 55° C	
	- Transport	-25° C + 70° C	
Humidity	- max. air humidity	95 % no moisture condensation	
Dimensions		SW108 - 65,5 x 144 x 89mm	
	Width W in mm	SW104 - 65,5 x 90 x 89 mm	
	Width W in units (18 mm modules)	8 modules / 4 modules	
Weight	SW108 - 0.45 kg		
	SW104 - 0.15 kg		
Box	Plastic, polycarbonate, colour grey		
CE	In accordance with the EMC guideline and low voltage		
Application program	Communications objects	Number of addresses(max)	Number of assignments(max)
		122	253

Connection Example

SW108

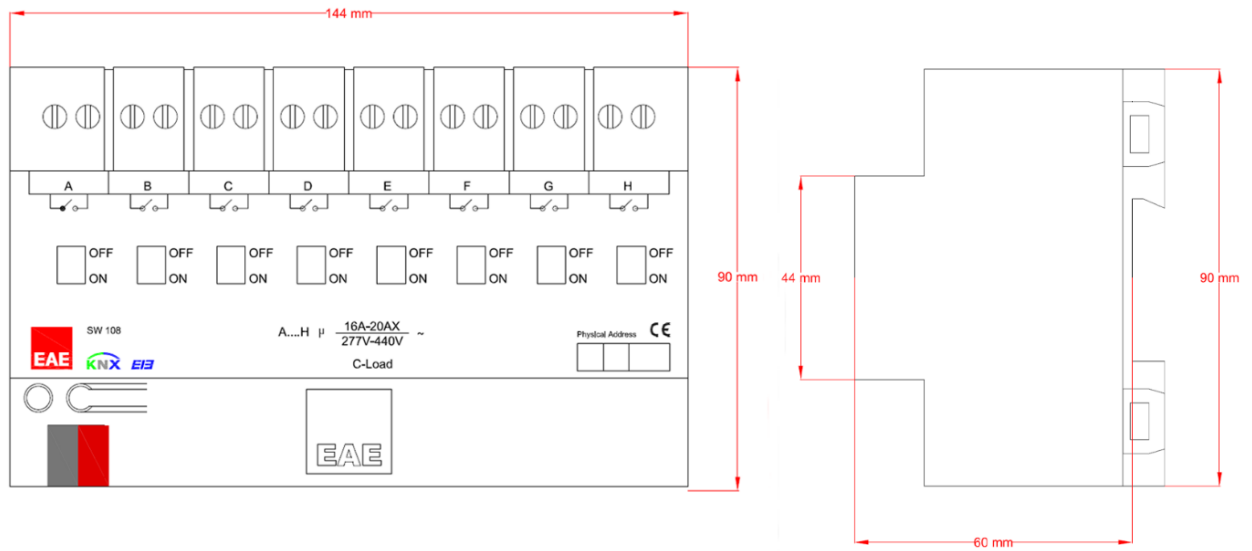


SW104



Scale Drawings

SW108



SW104

