

## General Features

EAE KNX Universal Dimmer Actuator has 5 independent outputs. Maximum switching voltage is 250V and maximum current is 1 A for each channel. Dimming functions can be used by phase dimming only. The device can be operated manually via push button on it. Each channel can be programmed via ETS4 or above.



Channel features of dimming actuator;

- Staircase lighting
- Forced Operation
- Channel Grouping (merging outputs for high power lamps)

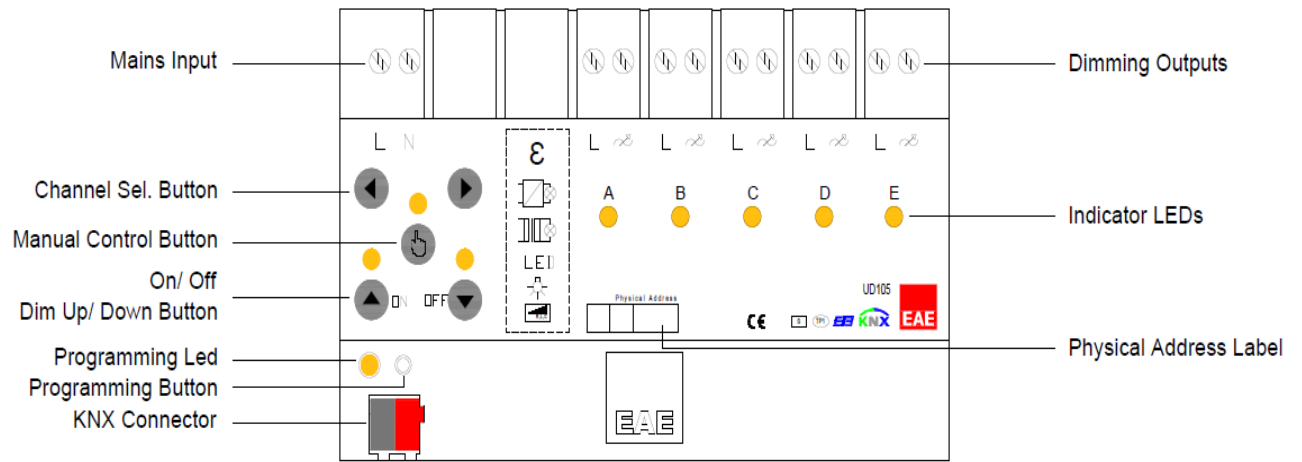
All features can be used separately or together. Please consider that those features will be processed depending on priority. Bus voltage fails and returns behavior can be set via ETS configuration.

## Technical Data

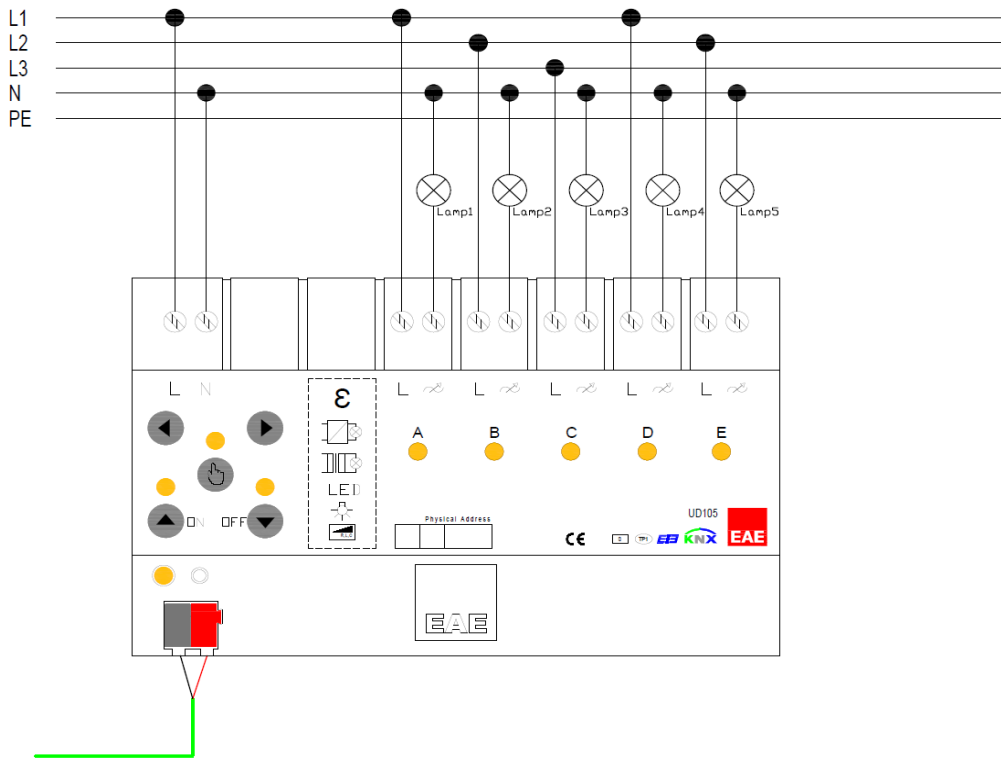
<b>Type of protection</b>	IP 20	EN 60 529	
<b>Safety class</b>	II	EN 61 140	
<b>Power supply</b>	- Voltage	21V... 30V DC, SELV	
	- Current consumption	< 10 mA	
<b>External supply</b>	---		
<b>Connections</b>	- Screw terminals	0,5...3,31 mm <sup>2</sup> solid and stranded wire 0,5...3,31 mm <sup>2</sup> stranded wire with ferrule 0.5 Nm	
	- Max. tightening torque	Bus connection terminal	
	- KNX		
<b>Output</b>	- Switching & Dimming	5 outputs, Triac output	
	- Cable length	Max. 200 meters	
	- Max. switching power	400 VA per channel	
	- Mechanical life	Lifetime	
<b>Type of contact</b>	- Triac, phase dimming		
<b>Installation</b>	- 35mm mounting rail	EN 60 715	
<b>Operating elements</b>	- LED (red) and button	For physical address programming	
<b>Temperature range</b>	- Ambient	-5° C + 45° C	
	- Storage	-25° C + 55° C	
	- Transport	-25° C + 70° C	
<b>Humidity</b>	- Max. air humidity	85 % no moisture condensation	
<b>Dimensions</b>		66 x W x 90 mm	
	Width W in mm	180 mm	
	Width W in units (18 mm modules)	10 modules	
<b>Weight</b>	0.45 kg		
<b>Box</b>	Plastic, polycarbonate, color grey		
<b>CE</b>	In accordance with the EMC guideline and low voltage		
<b>Application program</b>	Communication objects	Number of addresses(max)	Number of assignments(max)
	151	255	255

**NOTE:** Device default physical address is 15.15.255. In order to configure switch actuator, ETS application file “.knxprod” is needed. It’s possible to download the file on EAE website. ETS is required for programming the device. Parameter settings and related group addresses can be changed by ETS. Learn more by reading ETS help file.

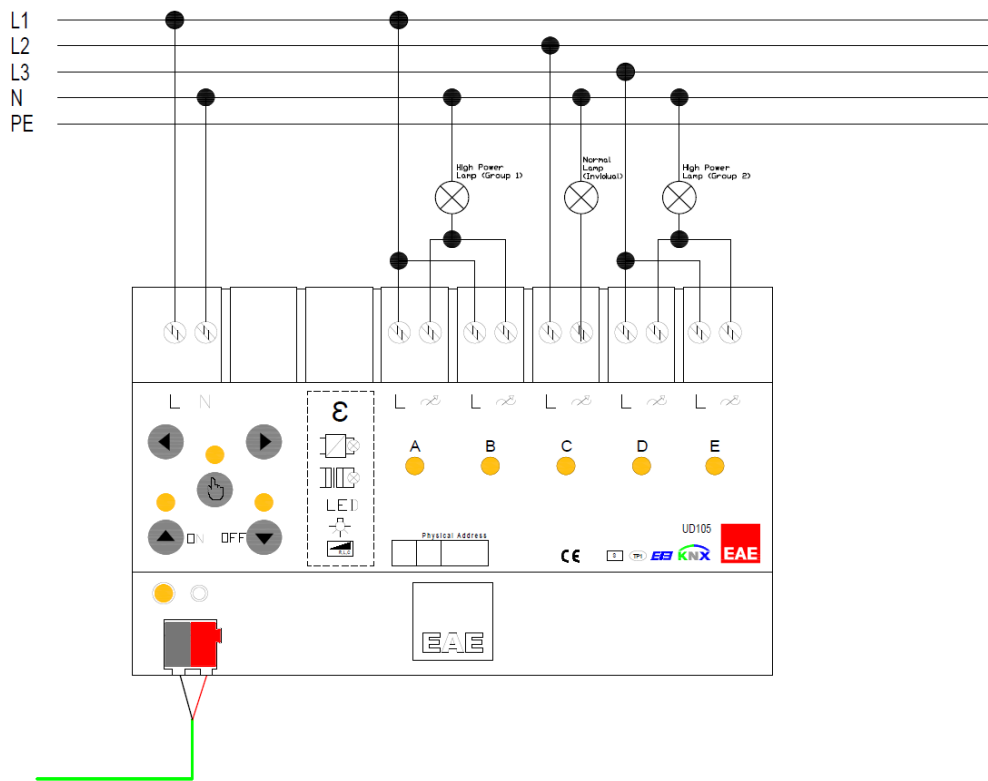
Functional Elements and Connections



Connection Diagram



*Single Channel Control*



*Grouped Channel Control*

Technical Drawings

