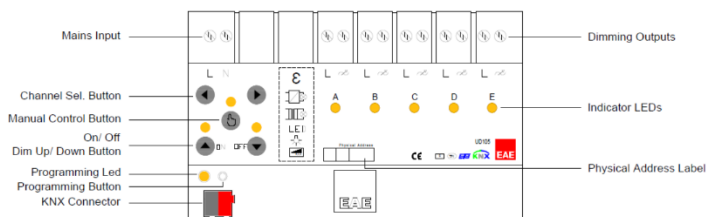


Device Overview



Description

EAE KNX Universal Dimmer Actuator has 5 independent outputs. Dimming functions can be used by phase dimming only. The device can be operated manually via push button on it. Each channel can be programmed via ETS4 or above.

Channel features of dimming actuator;

- Staircase lighting
- Forced Operation
- Channel Grouping (merging outputs for high power lamps)
- Scene Function
- Electrical Measurements (Current, Voltage, Power, Power Factor)
- Error Detection (Short-Circuit, Over-current, Over-voltage, Over-heating)

All features can be used individually or together.

Technical Data

| | | |
|------------------------|---|---|
| Protection Type | IP 20 | EN 60 529 |
| Safety Class | II | EN 61 140 |
| Power Supply | Voltage | 21V... 30V DC, SELV |
| | Current consumption | < 10 mA |
| Mains Supply | Min...Max | 185... 300V AC |
| Connections | Screw terminals | 0,5...4 mm ² solid and stranded wire 0,5...3,31 mm ² stranded wire with ferrule |
| | Max. tightening torque | 0.5 Nm |
| | KNX | Bus connection terminal |
| Output | Switching & Dimming | 5 outputs, Trailing and Leading-Edge Dimming |
| | Cable length | Max. 200 meters |
| | Max. switching power | 300 VA per channel 300 W halogen, incandescent lamps per channel 300 W Inductive transformers per channel 250 W Phase-cut dimmable LED lamps per channel |
| | | Multiplying the output power by parallel connection of channels. |
| | Mechanical life | Lifetime |
| Type of contact | Electronically controlled | |
| Installation | 35mm mounting rail | EN 60 715 |
| | Operating elements | LED (red) and button |
| Temp. range | Operating | -10° C + 50° C |
| | Storage | -25° C + 55° C |
| | Transport | -25° C + 70° C |
| Humidity | Max. air humidity | 85 % no moisture condensation |
| | Dimensions | Width W in units |
| Weight | | 0.24 kg |
| Box | Plastic, polycarbonate, color grey | |
| CE | In accordance with the EMC and LV directives. | |

Operation and Display

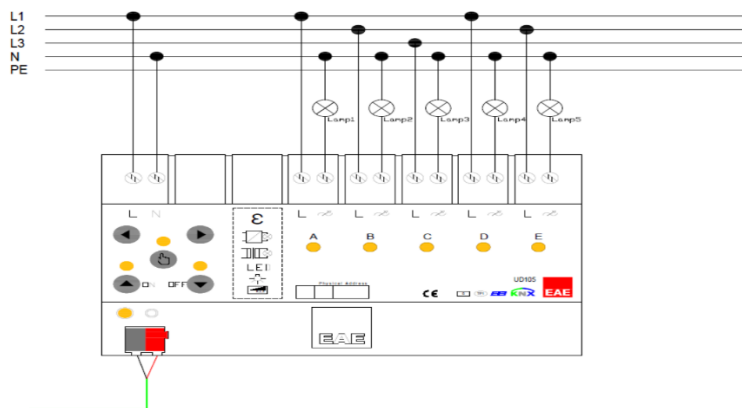
-Programming Led⁽³⁾

Red led lights up after the programming button is pressed.

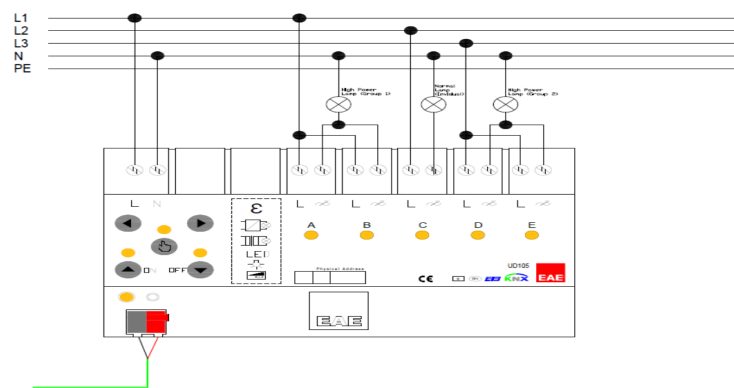
-Status Leds

Blinks when error occurred, Stays when switched ON.

Connection Example

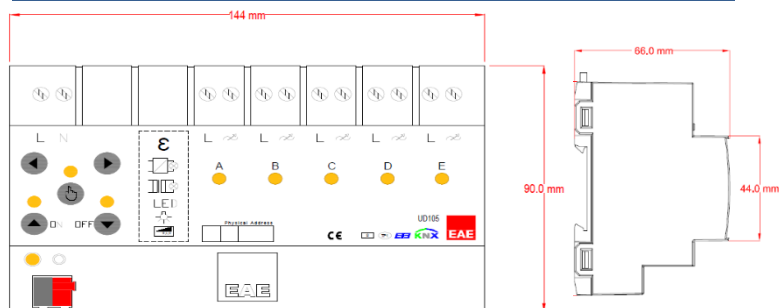


^^ Single Channel Control ^^



^^ Grouped Channel Control ^^

Scale Drawings



Commissioning

Determination of the physical address and setting of parameters are actualized with Engineering Tool Software (ETS4 or higher). ".knxprod" file must be imported to the ETS. Please check website for latest ".knxprod" file.

www.eaetechnology.com

i A detailed information about parameter configuration can be found in Product Manual of device.

! Installation and commissioning of device may only be implemented by trained electricians. The relevant standards, directives, regulations and instructions must be observed when planning and implementing the electrical installation.

-When connecting the device make sure that the device is isolated!
-Protect the device against moisture, dirt and damage during transport, storage and operation!

-Do not operate the device out of the specified technical data which is stated.
-The device may only be operated in closed enclosures (Distribution boards etc.)

Cleaning

If device becomes dirty, only a dry cloth can be used for cleaning. It is not suitable to use wet cloths, caustics and solvents.