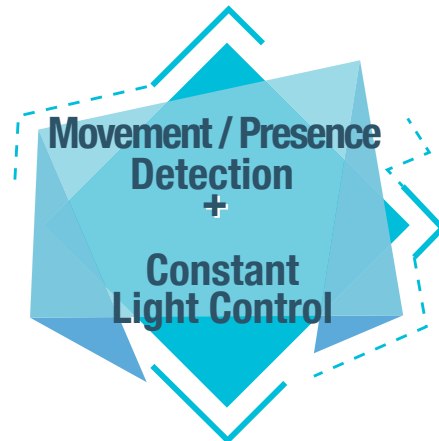


PD100 / MD100

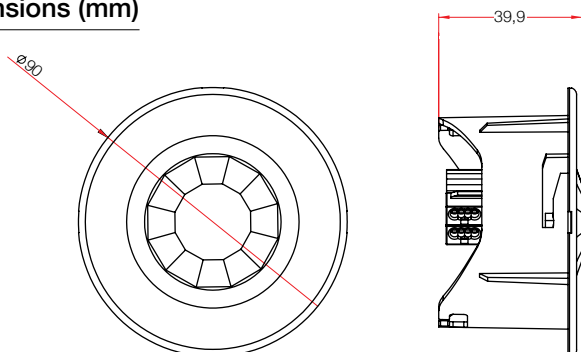
EAE KNX SENSOR



General Specifications

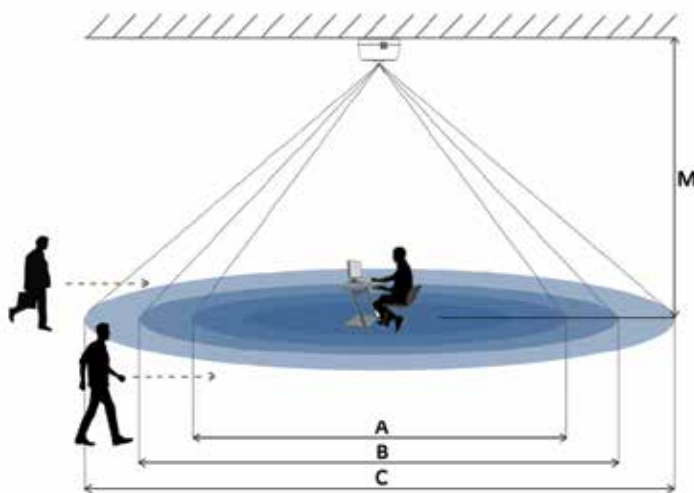
- PD100 movement sensor is ideal for indoor use such as in medium and large scale office spaces, conference halls, corridors, classrooms, parking garages. It comes in two models; flush-mounted and surface-mounted. It can detect movements at 2.5 m assembly height in a diameter of 9 m.
- Thanks to the integrated light level sensor and movement sensor it can implement fixed light function depending on the presence of a movement. The current level of ambient light is compared to the lux level desired to ensure the appropriate level of illumination in the area concerned.
- By means of the corridor function, different levels of brightness can be arranged for the states of; "Movement", "After Movement", and "No Movement". The duration of light projection after the movement can be adjusted by the user.
- Other than the control of the lighting level, it would also be possible to control the air conditioning and ventilation through HVAC.
- It is possible to send periodic information of different communication object by means of the independent movement monitoring channel. This could be used in movement monitoring applications.
- It can operate in parallel connection with other sensors either on standalone or master-slave basis depending on application requirements.
- Based on the state of use of the external controls (button, switch, other sensors, etc.) full or semi automatic operating modes could be set-up.
- Test and calibration modes are convenient during installation.
- Does not need external feed as it receives its feed over KNX line

Dimensions (mm)



Technical Information

Protection Type	IP 20	EN 60529
Safety Class	II	EN 61140
Feed	Voltage range Current consumption	21 - 30V DC, KNX Hattı ile < 10mA
Application areas		Indoors
Sensor Type		Passive infrared
Installation	Location Recommended height	Ceiling 2.5 m – 4m
Detection	PD100 Diameter (at 2.5 m height) MD100 Diameter (at 2.5 m height) Angle Light Level	6.5 m diameter (tangent walk) 9 m diameter (tangent walk) 3600 100 – 1000 lux
Additional Channels		Illumination level, movement channel, HVAC ch.
Parallel Operation		Master/Master, Slave/Master
Operating Elements	LED (Red) and button	Used to program the device
Operating Temperature	Operation Storage Transportation	- 5°C +45°C -25°C +55°C -25°C +70°C
Dimensions		42.5 x 42,5 x 12 mm
Weight	0.06 kg	
Ceiling section dimension	75 mm diameter	



A: Area of detection according to a seated person
 B: Area of detection upon direct approach on feet
 C: Area of detection upon tangent approach on feet

MD100 Movement and Daylight Sensor

MD100	A	B	C
4,0 m	-	10 m	15 m
3,5 m	5,5 m	8 m	13 m
3,0 m	5,0 m	7 m	11 m
2,5 m	4,5 m	6,5 m	9 m

PD100 Presence and Daylight Sensor

PD100	A	B	C
4,0 m	-	-	-
3,5 m	8,5 m	6,5 m	10 m
3,0 m	6,5 m	6 m	7 m
2,5 m	5,5 m	5 m	6 m

Ordering Information

Product Name	Product Code	Ordering Code	Package Information
EAE KNX Presence and Daylight Sensor (Flush mounted)	SMP PD100 EAE F-KNX	48018	1 pcs.
EAE KNX Movement and Daylight Sensor (Flush mounted)	SMP MD100 EAE F-KNX	48019	1 pcs.